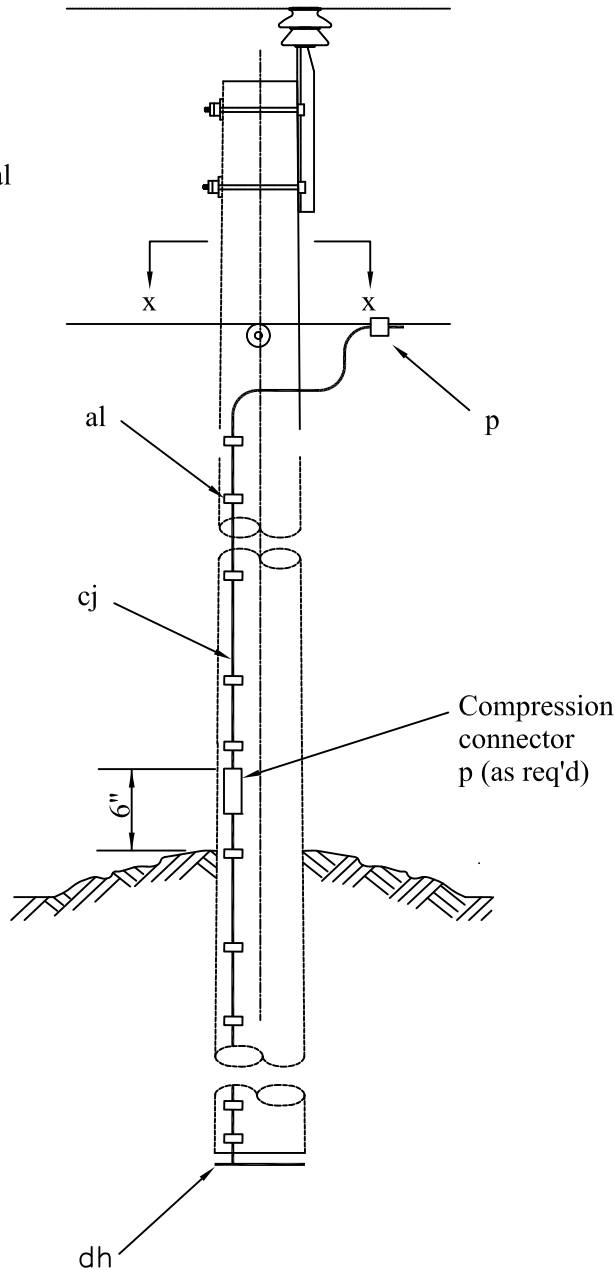
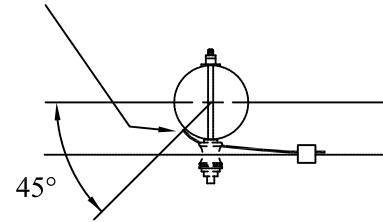


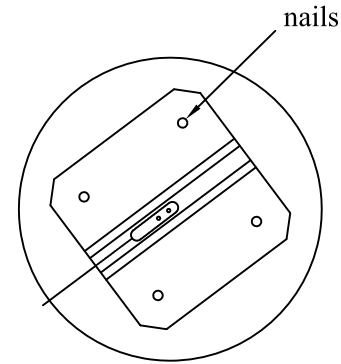
Neutral



Pole ground wire



SECTION X-X



Plan View
Grounding plate (dh)

NOTES:

1. Ground wire to be located on same side as neutral conductor and in quadrant opposite climbing space or pole top pin.
2. Staples on ground wire shall be 2'-0" apart except for a distance of 8' above ground and 8' from top of pole where they shall be 6" apart.
3. Copper ground wire ("cj") to have a minimum conductivity of No. 6 Copper or equivalent; use copper ground plate and staples.

ITEM	QTY	MATERIAL	ITEM	QTY	MATERIAL
dh	1	Plate, grounding, butt type	cj		Wire, pole ground, as req'd
	4	Nails, 1" galvanized, roofing	p	1	Connector, compression, as req'd
al		Staple, ground wire, (copper), as req'd			

NOTES:
DESIGN PARAMETERS:
THIS ASSEMBLY CAN NOT BE COUNTED AS
A SYSTEM GROUNDING ELECTRODE.

POLE PROTECTION ASSEMBLY
PLATE TYPE